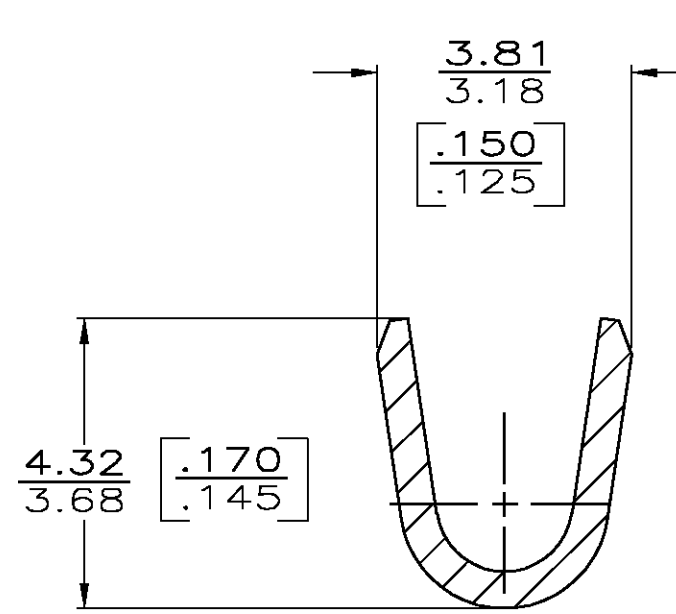
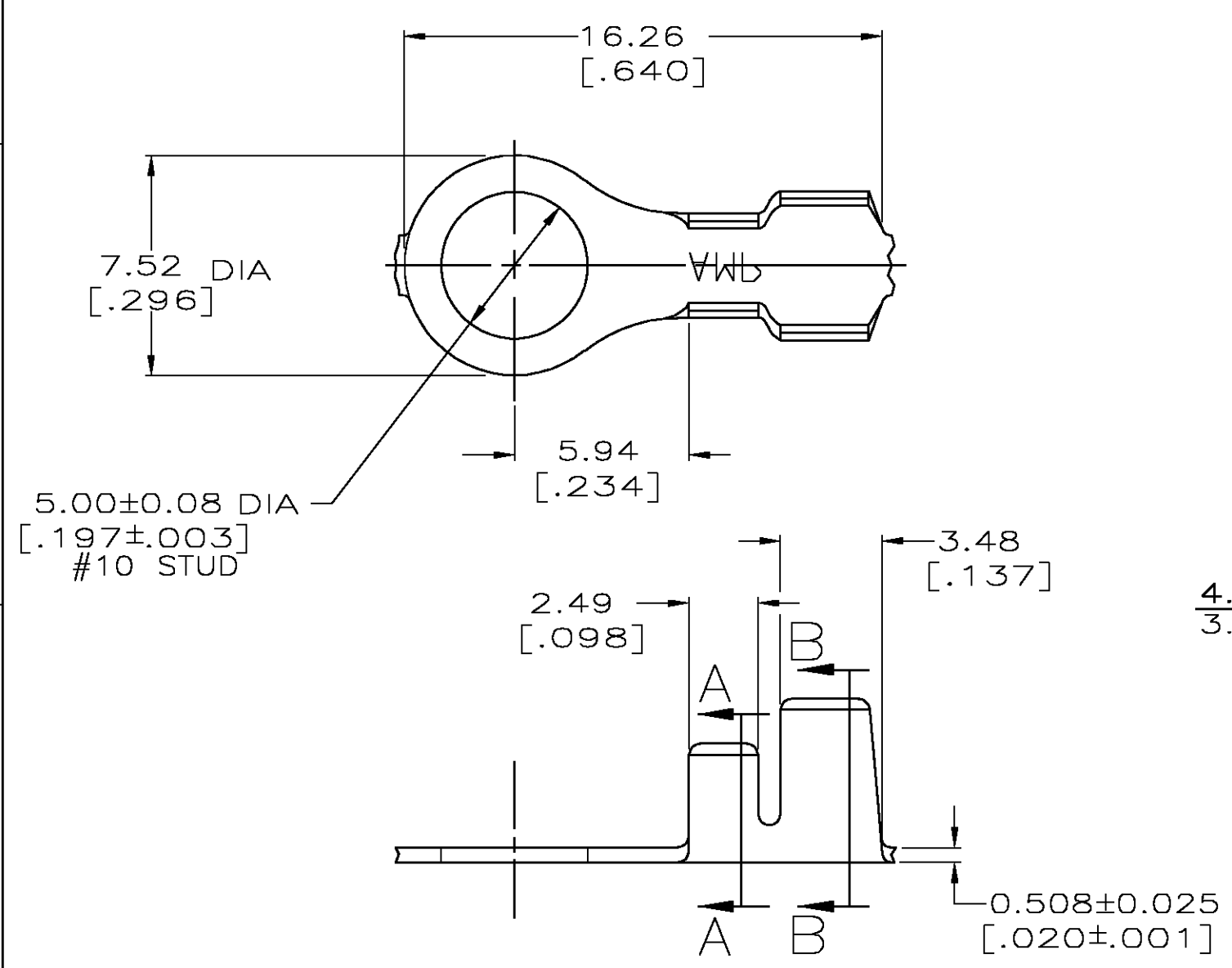
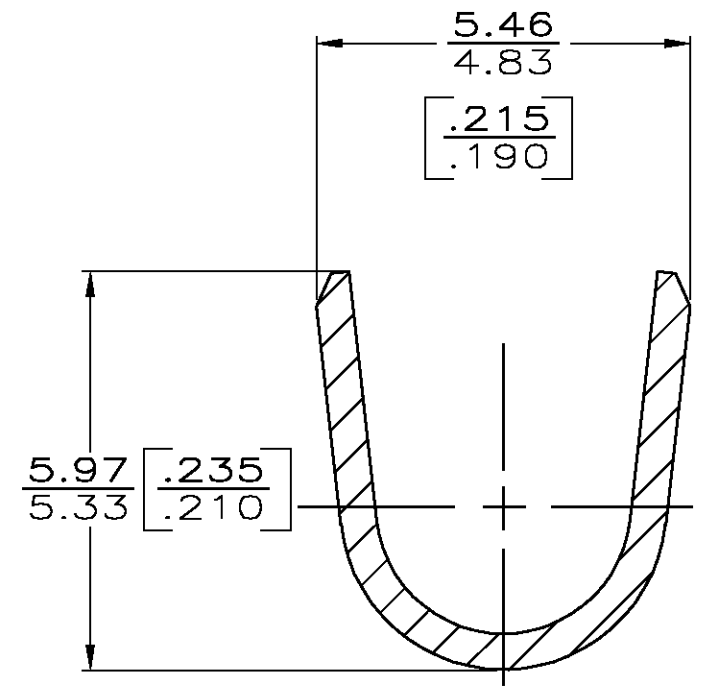


LOC	DIST	REVISIONS					
AF	50	P	LTR	DESCRIPTION	DATE	DWN	APVD
		N		REV PER 0G3A-0109-03	02MAY03	JR	DD

- CONTINUOUS STRIP ON REEL.
- WIRE SIZE IS 0.8-2.0mm [18-14]AWG
- INSULATION RANGE IS 3.05-4.32 [.120-.170] DIA.



SECTION A-A
SCALE 10:1



SECTION B-B
SCALE 10:1

41560
PART NO

THIS DRAWING IS A CONTROLLED DOCUMENT.		DWN	P FORTNEY	7/22/91	 Tyco Electronics Corporation Harrisburg, PA 17105							
DIMENSIONS: mm [INCHES]		CHK	MS FEHER	8/8/91								
TOLERANCES UNLESS OTHERWISE SPECIFIED:		APVD	R WEAVILL	8/8/91								
0 PLC ± - 1 PLC ± - 2 PLC ± 0.25 [.010] 3 PLC ± - 4 PLC ± - ANGLES ± -		PRODUCT SPEC	NAME			RING TONGUE						
MATERIAL	082 BRASS	FINISH	-		APPLICATION SPEC	-						
		WEIGHT	-		SIZE	A3	CAGE CODE	00779	DRAWING NO	C-41560	RESTRICTED TO	-
		CUSTOMER DRAWING			SCALE	5:1	SHEET	1	OF	1	REV	N